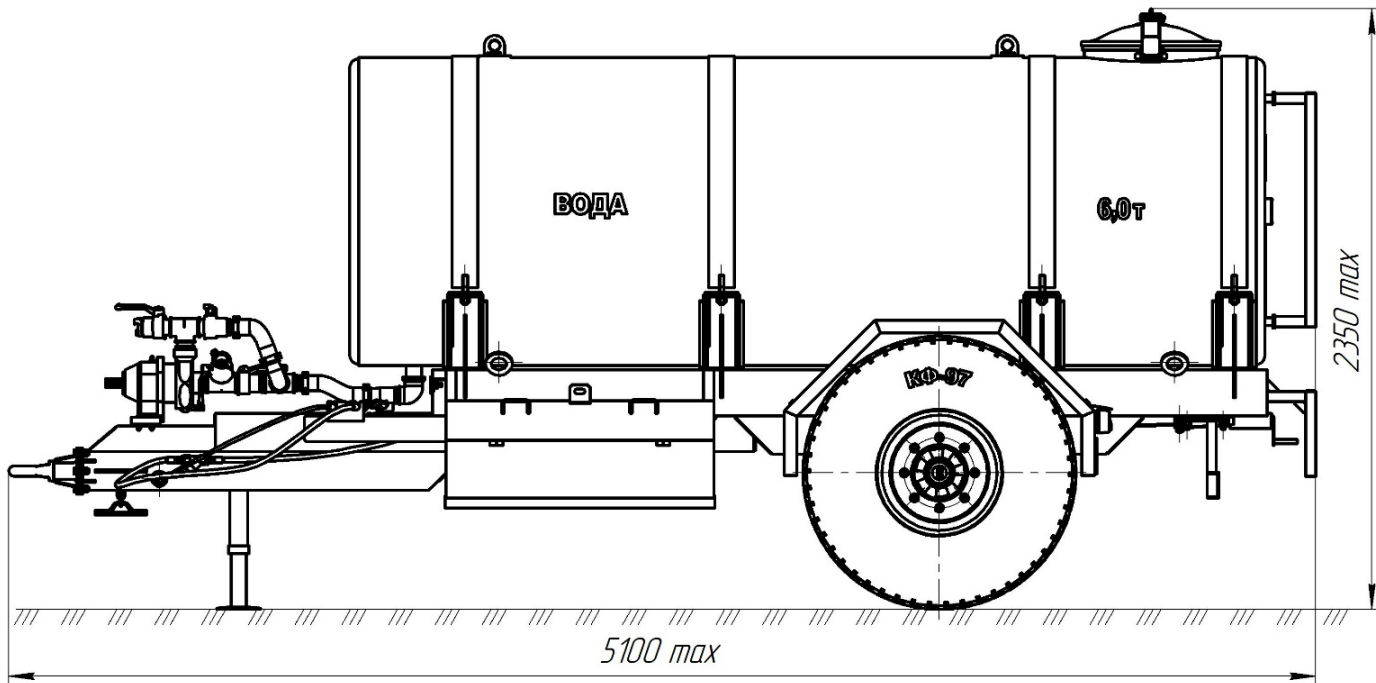


## WATER SPRINKLER TANK 1MP-6

This special trailer is used for sprinkling open surfaces and roads to prevent overheating, for watering lawns and landscaped areas, for water delivery and supply by water pump from tank or open source, for tanking road construction machines.



### Technical characteristics

Parameter	value
1. Vehicle type	Semitrailer
2. Vehicle category according to GOST 31286	O <sub>3</sub>
3. Tractor drawbar category	1,4 and higher
4. Lifting capacity, t, max	6
5. Max transport speed, km/h	25
6. Max weight, kg	
— design gross weight	2000
— full weight (technical permissible)	8000
7. Full weight axle distribution, kg:	
— axle Nr. 1, kg	6700
— tow hitch	1300
8. Tires	
— nominal size	16,5/70-18
— minimal ply number	14
— pressure, MPa	0,41
9. Suspension	Rigid
10. Frame type	Welded ladder frame

11. Max self-priming time from open source, мин, не более	32
12. Water supply tubes nominal size, suction / pressure, mm	
– PTO driven water pump	50 / 50
– autonomous diesel water pump:	
– DN 50	50 / 50
– DN 80	80 / 50
13. Axle/wheel number, pcs.	1/2
14. Braked axles number, pcs.	1
15. Track width, mm	2030
16. Water supply tubes nominal size, suction / pressure, mm	3565
17. Ground clearance, mm, min	340
18. Max overall dimensions, mm	
– length	5100
– width	2455
– height	2350

