

# **COMPACT UTILITY VEHICLE**

## **MMK2000**

---

Manufacturer: ODO “Dormashepo”  
Partyzanski Ave., 6Д – 107  
220033 Minsk, Republic of Belarus

Tel./Fax: +375 17 367 32 74

Tel.: +375 17 363 42 33

+375 17 316 42 87

+375 17 368 42 88

[dormashepo@rambler.ru](mailto:dormashepo@rambler.ru)

Municipal, urban and public utility infrastructure companies as well as many specialized companies require reliable multipurpose vehicles for year-round operation.

ODO “Dormashexpo” developed and started assembly of compact utility vehicle MMK2000 (MURASH). This is a compact multipurpose vehicle, which can be used in many different applications due to wide range of quick-change attachments. Snow removal and road sweeping, street cleaning with vacuum sweepers, grass and vegetation mowing, street washing, watering flowers and household waste collection are just some of the possible applications of the MMK2000.

Attachments for a wide range of applications are designed to provide ease of use, ease of maintenance and quick vehicle modification.

MMK2000 is a machine from a Belarusian manufacturer, designed to meet the needs of Belarusian consumers. This is the best choice for the Belarusian market.

#### MANEUVERABILITY

- articulated frame;
- small dimensions.

#### RELIABILITY

- powerful Weichai engine;
- Linde hydrostatic transmission.

#### VERSATILITY

- smart solutions;
- a wide range of working equipment.

The MMK2000 vehicle is intended primarily for cleaning urban and industrial areas and infrastructure (sidewalks, streets, courtyards, park areas, retail and storage areas).

The machine can be equipped with various types of quick-change technological attachments:

- vacuum sweeping equipment;
- watering equipment;

- snow removal equipment;
- equipment for the distribution of anti-icing materials.

Transmission type - hydrostatic. Each wheel is driven by a separate hydraulic motor. The articulated frame design allows you to significantly increase the maneuverability of the machine in cramped urban conditions. The inner turning radius is not more than 1.5 m.

MMK2000 has cabin with air conditioning and independent Eberspächer heater. Doors are made of glass. Rear view camera makes the backward movement very easy. Comfortable adjustable driver's seat with air suspension offers decrease the lassitude of the driver. Adjustable steering column gives more freedom in the cabin. Heated rear-view mirrors are very helpful in the winter time. The working attachments are controlled by joysticks with handles, which buttons are used for controlling additional functions of the machine.

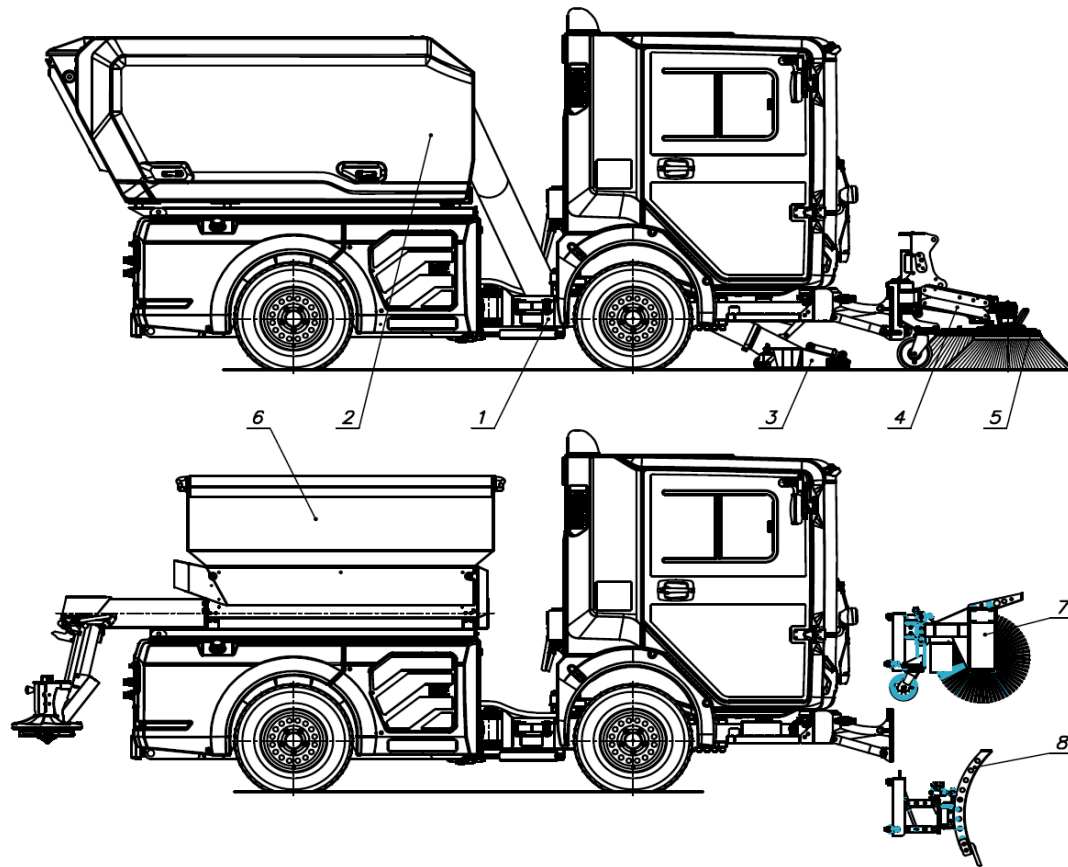
The machine functionality means cleaning, and not moving garbage. The principle of its operation is as follows: side brushes, which have a soft start system with speed control, sweep debris to the center, where the suction nozzle (nozzle) is located, connected to the hopper with a polyurethane reinforced sleeve. Vacuum is created in the bunker by the vacuum turbine and the garbage is sucked into the hopper through the suction nozzle and sleeve. In order to separate dust and debris from the air, cyclone and water filters are used. After filtering, the air goes outside, and the garbage settles in the hopper. Water is sprayed from the sprinkler system tank through nozzles located on the disc brushes into the sweeping area and suppresses dust formation. Thus, it is possible to collect fine sand and dust from sidewalks and roads, as well as small and large waste. Garbage is unloaded by lifting the hopper back using a pair of hydraulic cylinders.

## Main Specifications of the Vacuum Sweeping Machine

| Parameter   |  | Value                     |
|---|--|---------------------------|
| Operating weight, kg, max                           |  | 3200                      |
| Tire size   |  | 215R14C                   |
| Overall dimensions, mm, max:                        |  |                           |
| - basic chassis:                                    |  |                           |
| - length  |  | 4500                      |
| - width   |  | 1300                      |
| - height:   |  |                           |
| - cabin   |  | 2100                      |
| - warning beacon                                    |  | 2250                      |
| - vehicle with vacuum sweeper and two disc brushes: |  |                           |
| - length  |  | 6100                      |
| - width   |  | 1800                      |
| - height:   |  |                           |
| - cabin   |  | 2100                      |
| - warning beacon                                    |  | 2250                      |
| Transmission  |  | Hydrostatic 4-wheel drive |
| Frame type  |  | Articulated               |
| Cabin type  | Single cab, adjustable pneumatic seat, additional folding seat, air conditioning system, independent heater, car audio, LCD rear-view camera monitor, rear-view mirror heating |                           |
| Wheel base, mm                                      |  | 2000                      |
| Track width, mm                                     |  | 1050                      |
| Overall turning radius, mm, max                     |  |                           |
| - internal  |  | 1500                      |
| - external  |  | 3100                      |
| Max travel speed, km/h                              |  |                           |
| - driving mode                                      |  | 50                        |
| - working mode                                      |  | 15                        |

|   |                   |
|---|-------------------|
| Engine  | WEICHAI TCD2.3    |
| Emission class  | STAGE 3B (TIER 4) |
| Engine power, kW / HP   | 55,4 / 75,5       |
| Engine volume, cm <sup>3</sup>                                  | 2300              |
| Fuel tank volume, l   | 70                |
| Car-system voltage, V   | 12                |
| Max garbage hopper volume, m <sup>3</sup>                       | 2,0               |
| Clean water tank volume, l                                      | 300               |
| Max loading capacity, кг, kg                                    | 1500              |
| Hopper unloading height, mm, min                                | 1600              |
| Adjustable sweeping width, m                                    | 1,6-2,4           |
| Adjustable sweeping width with 3-rd brush, m                    | 2,5               |
| Suction nozzle width, mm, min                                   | 500               |
| Suction nozzle funnel diameter, mm, min                         | 170               |
| Rear suction hose diameter, mm, min                             | 125               |
| Rear suction hose length, mm, min                               | 4                 |
| Pressure washer (for machine cleaning after the work shift end) | YES               |

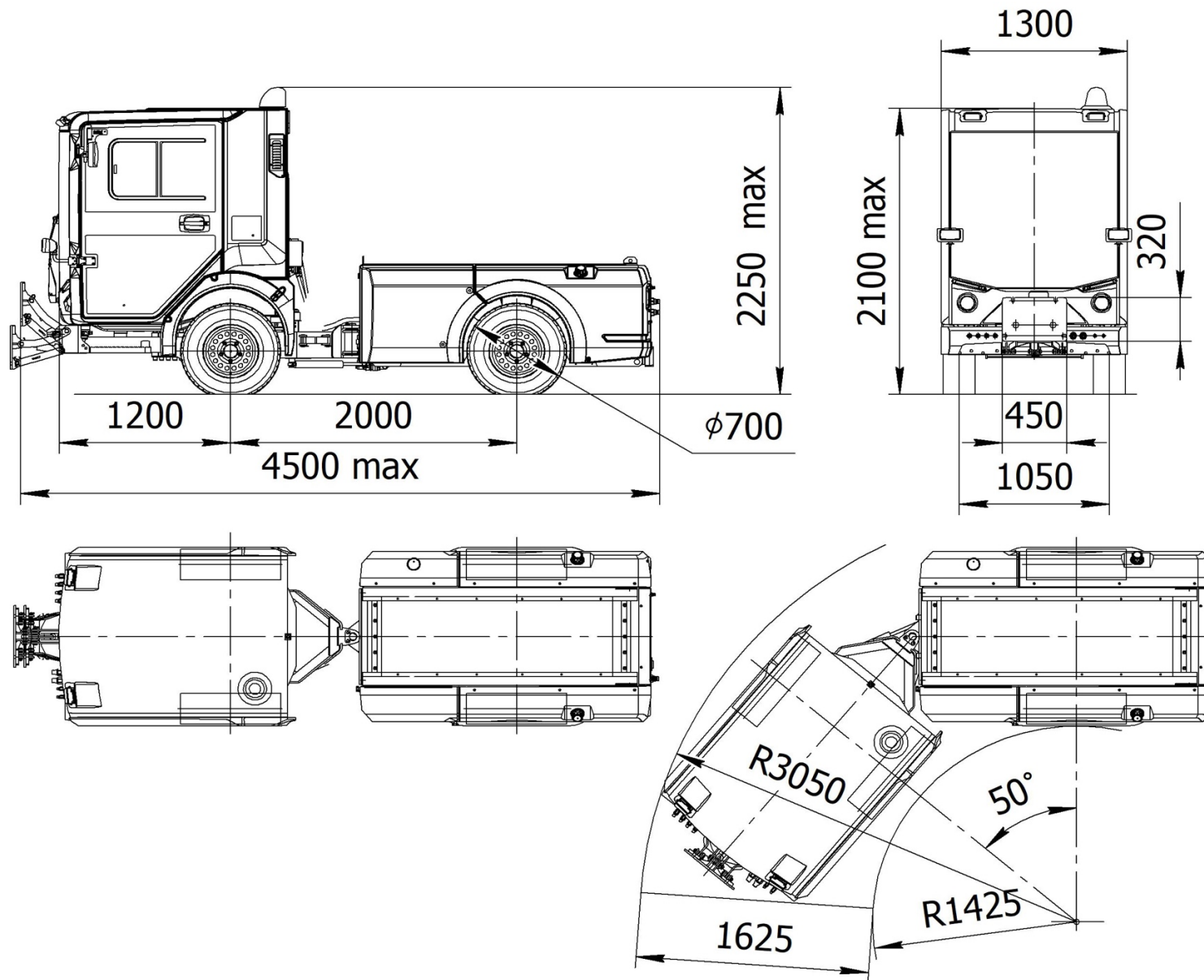
## Working attachments



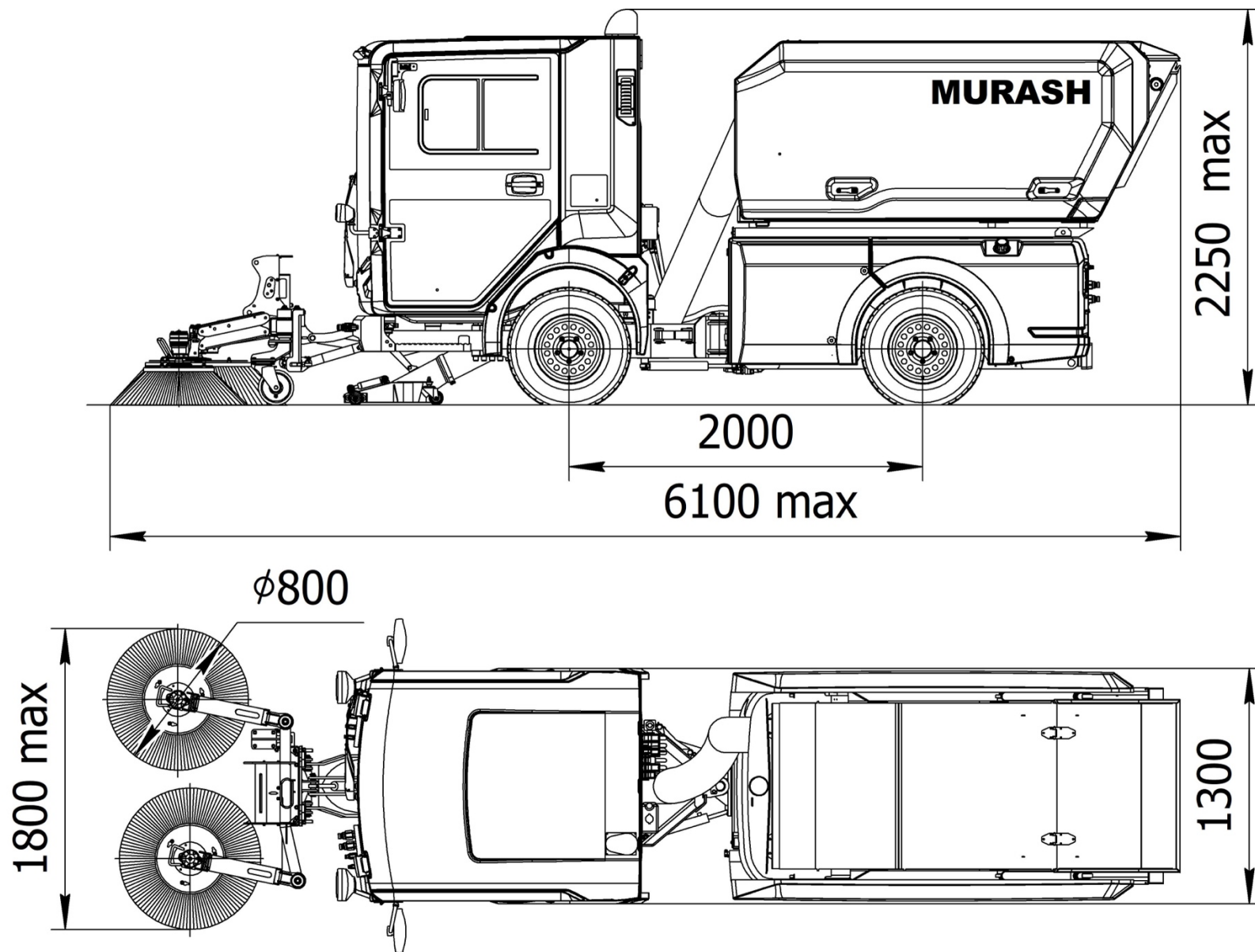
- 1 – chassis;
- 2 – garbage hopper with vacuum suction equipment and water tank;
- 3 – suction nozzle;
- 4 – sweeping equipment (2 brushes);
- 5 – water sprinklers (watering while sweeping);
- 6 – sand and salt mixture hopper with feeding and spreading automatic controlled system;
- 7 – rotor snow brush with tilt;
- 8 – straight snow plough with tilt.

Overall dimensions

Basic chassis

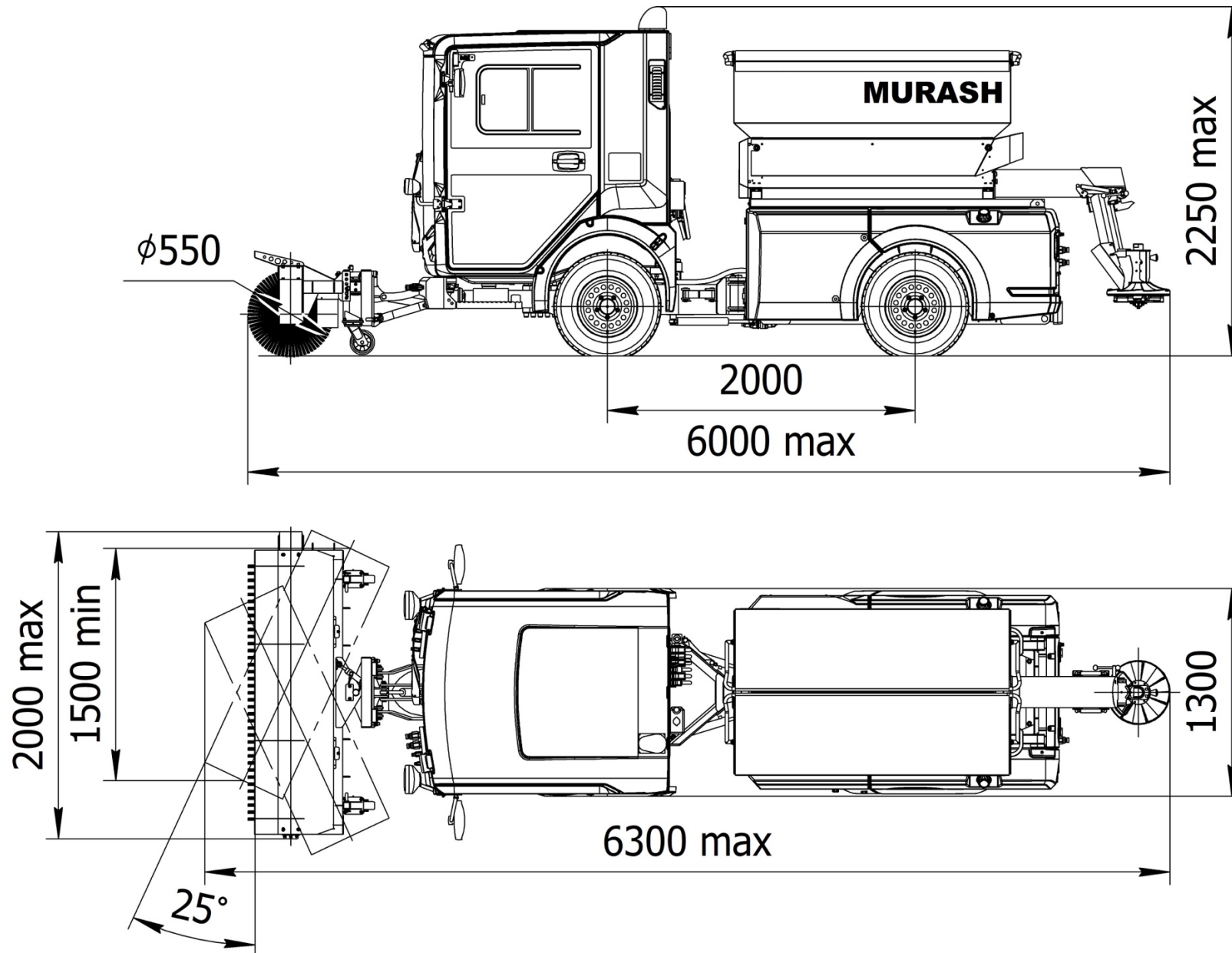


MMK2000 with vacuum sweeping equipment with 2 disc brushes





MMK2000 with deicing agent spreader and front rotor snow brush



MMK2000 with deicing agent spreader and front snow plough

