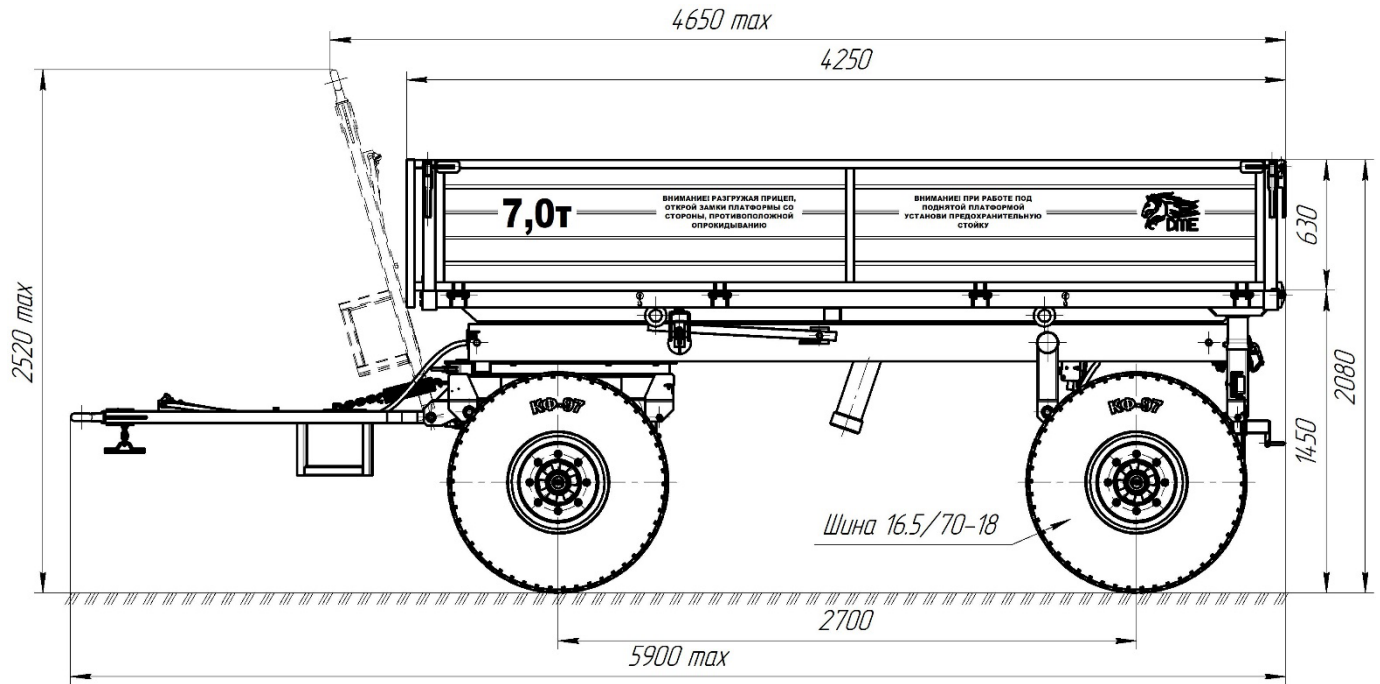


Tractor dump trailer 2PTS-7

Trailer is designed for transportation on all types of roads and in the field of many kinds of agricultural loads and materials like manure, sawdust, gravel, wood chips, compost, silage, grain, beetroots and other free-running and piece materials excluded rock fragments and cobblestones.

Trailers are available in following configurations:

- 2PTS-7 – basic trailer,
- 2PTS-7N – with full metal put-on sides,
- 2PTS-7S – with mesh put on sides,
- 2PTS-7T – with framed tarp,
- 2PTS-7NT – with full metal put-on sides and framed tarp.



Technical characteristics

Parameter	Value
1 Type	Trailer
2 Tractor drawbar category	1,4-2
3 Trailer category	Ra3
4 Lifting capacity, kg, max	7 000
5 Max speed, km/h	
- transport mode	30
- working mode	18
6 Number of axles, pcs.	2
7 Wheels per axle, pcs.	2
8 Wheel base, mm, min	2 700
9 Unloading sides	3
10 Approved tires / pressure, MPa	16.5/70-18 PR10 / 0,37
11 Track width, mm, min	2 030
12 Inner body dimensions, mm, max	
- length	4 050
- width	2 130

13	Sides height, mm, max - main sides - full metal put-on sides - mesh put-on sides	630 630 1 000
14	Body floor surface, m ² , max	8,63
15	Body volume, m ³ , max - with main sides - with full metal put-on sides - with mesh put-on sides	5,43 10,87 14,06
16	Ground clearance, mm, min	310
17	Body floor loading height with basic tires, mm, max	1 450
18	Body tipping angle, degrees, min	45
19	Body tipping time, s, max	50
20	Hydraulic system working pressure, MPa, max	20
21	Manning level, persons	1
22	Working brake system - brake axle number - brake mechanism type - brake activation type - brake system scheme	2 drum pneumatic single line
23	Parking brake system	mechanical with manual drive
24	Lifetime, years, min	8

Weights and overall dimensions

Trailer configuration	Weight, kg, max		Weight distribution per axle, kg, max		Overall dimensions, mm, max		
	Design gross weight (without options with basic tires)	Full weight (technical permissible)	Axle Nr. 1	Axle Nr. 2	Length	Width	Height
2PTS-7	2280	9390	4790	4600	5900	2310	2080
2PTS-7N	2470	9580	4890	4690			2710
2PTS-7S	2450	9560	4880	4680			3080
2PTS-7T	2390	9500	4850	4650			2310
2PTS-7NT	2580	9690	4940	4750			2940