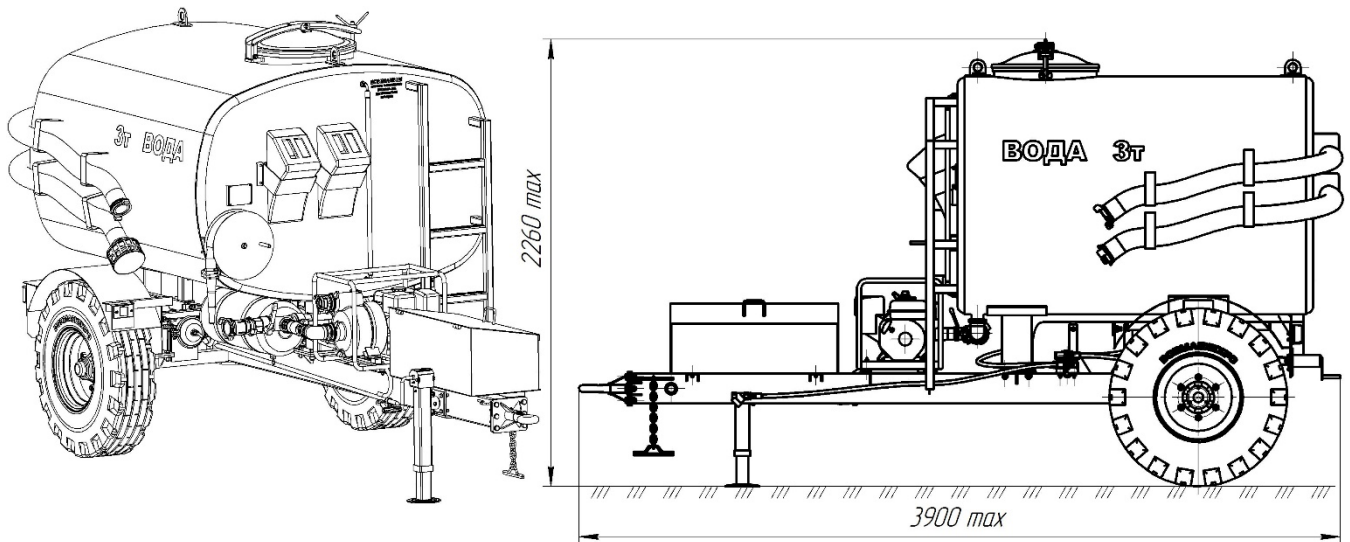


## WATER SPRINKLER TANK MP-6

This special trailer is used for sprinkling open surfaces and roads to prevent overheating, for watering lawns and landscaped areas, for water delivery and supply by water pump from tank or open source, for tanking road construction machines.



### Technical characteristics

Parameter	Value
1. Vehicle type	Semitrailer
2. Vehicle category according to GOST 31286	O <sub>3</sub>
3. Tractor drawbar category	0,6-1,4
4. Lifting capacity, t, max	3
5. Max transport speed, km/h	25
6. Max weight, kg	
— design gross weight	1 050
— full weight (technical permissible)	4 050
7. Weight distribution by axle, kg:	
— axle Nr. 1, kg	3 300
— tow hitch	750
8. Tires	
— nominal size	19.00-16
— minimal ply number	10
— Pressure, MPa	0,47
9. Suspension	Rigid
10. Frame type	Backbone welded
11. Max self-priming time from open source, min	16

12. Water supply tubes nominal size, suction / pressure, mm:	
– PTO driven water pump	50 / 50
– Autonomous diesel water pump:	
– DN 50	50 / 50
– DN 80	80 / 50
13. Axle number, pcs.	1/2
14. Braked axle number, pcs.	1
15. Track width, mm	1 600
16. Distance between axles and coupler pulling face, mm	3 080
17. Ground clearance, mm, min	310
18. Overall dimensions, mm, max	
– length	3 900
– width	2 000
– height	2 260

